

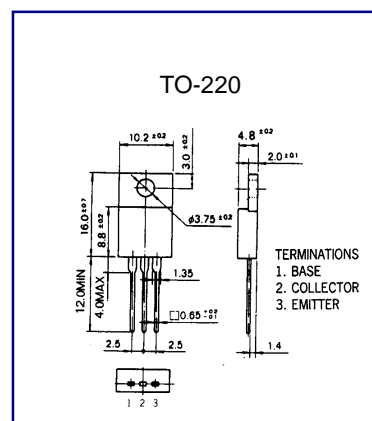


2SD880

NPN EPITAXIAL SILICON TRANSISTOR

LOW FREQUENCY POWER AMPLIFIER

- Complement to 2SB834



ABSOLUTE MAXIMUM RATINGS ($T_A=25^\circ\text{C}$)

Characteristic	Symbol	Rating	Unit
Collector-Base Voltage	V_{CB0}	60	V
Collector-Emitter Voltage	V_{CE0}	60	V
Emitter-Base voltage	V_{EB0}	7	V
Collector Current (DC)	I_C	3	A
Collector Dissipation ($T_c=25^\circ\text{C}$)	P_C	30	W
Junction Temperature	T_j	150	$^\circ\text{C}$
Storage Temperature	T_{stg}	-50~150	$^\circ\text{C}$

ELECTRICAL CHARACTERISTICS ($T_A=25^\circ\text{C}$)

Characteristic	Symbol	Test Condition	Min	Typ	Max	Unit
Collector Cutoff Current	I_{CBO}	$V_{CB}=60\text{V}$, $I_E=0$			100	μA
Emitter Cutoff Current	I_{EBO}	$V_{EB}=7\text{V}$, $I_C=0$			100	μA
DC Current Gain	h_{FE1}	$V_{CE}=5\text{V}$, $I_C=0.5\text{A}$	60		300	
DC Current Gain	h_{FE2}	$V_{CE}=5\text{V}$, $I_C=3\text{A}$	20			
Collector- Emitter Saturation Voltage	$V_{CE(sat)}$	$I_C=3\text{A}$, $I_B=0.3\text{A}$		0.4	1.0	V
Current Gain Bandwidth Product	f_T	$V_{CE}=5\text{V}$, $I_C=0.5\text{A}$		3		MHZ